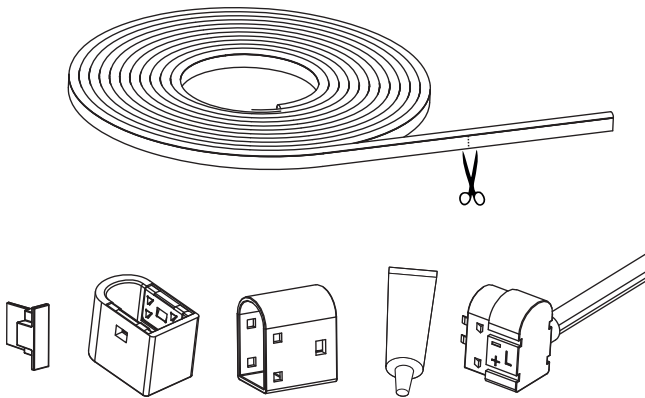
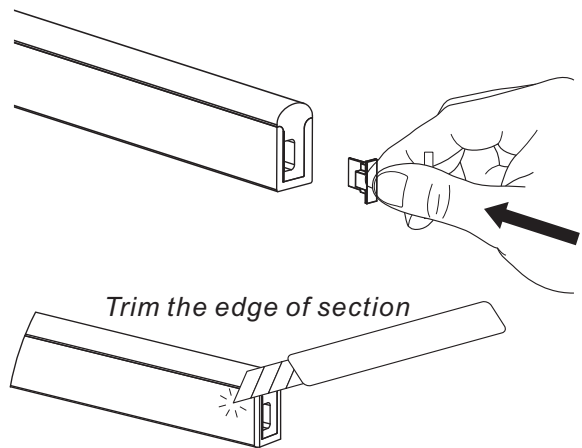


Guide for Cutting and connection

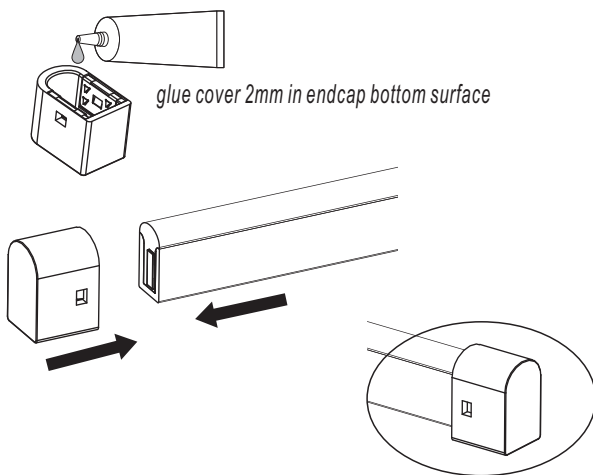
1 Cut and preparation



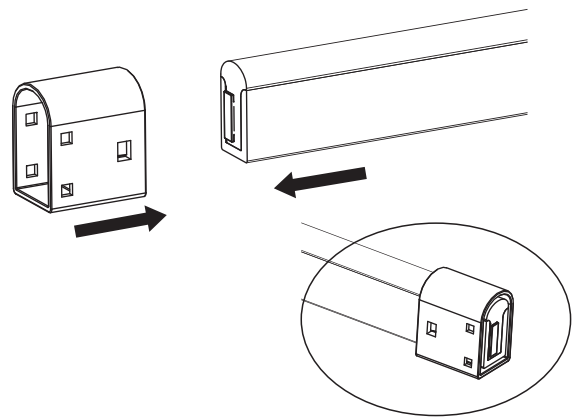
2 Install PC terminals for both ends and trim



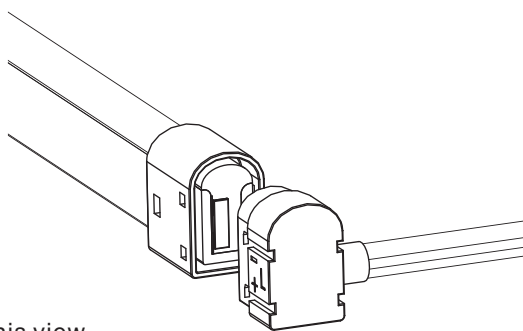
3 Install Endcap



4 Install Tube

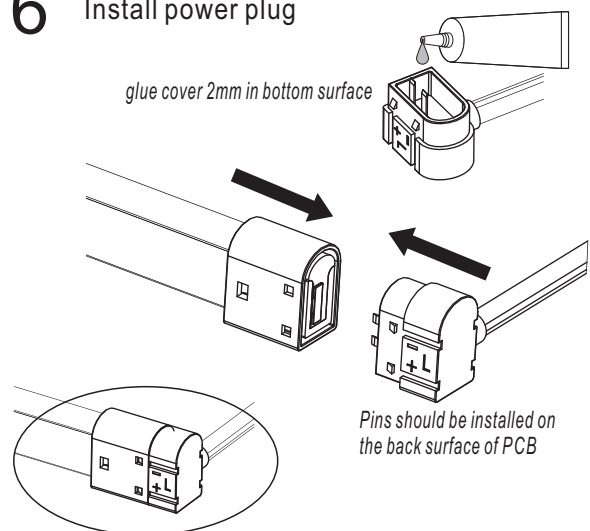


5 Select power plug



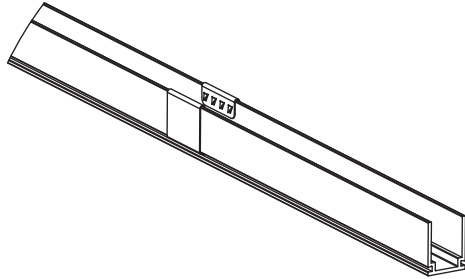
In this view
PCB on left side, so select power plug with "L"
Otherwise "R"

6 Install power plug

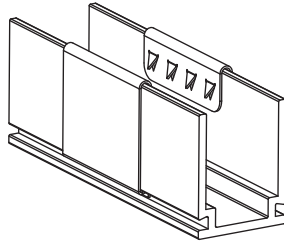


Guide for Installation

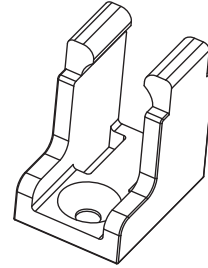
1 Mounting accessories



AL profile 1 meter/pcs



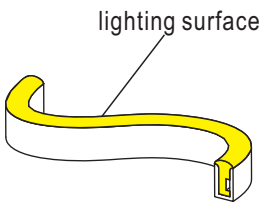
AL Clip



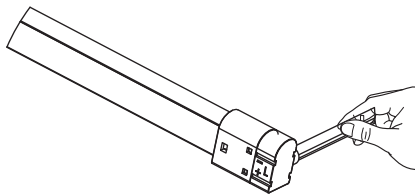
PC Clip

Notes: There is no screw holes in AL profile and AL clips, please drill holes according to field requirements and fix it by screw

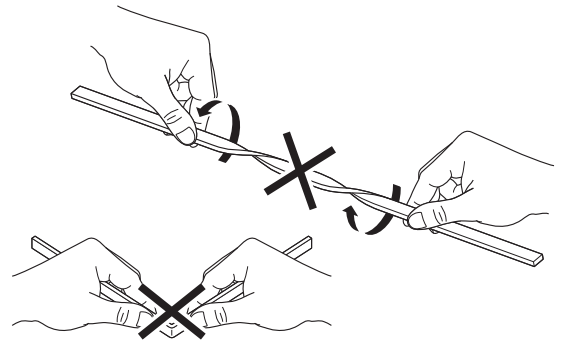
2 Installation and Warning



This is the only bending direction allowed



Take the product by cable or pull it is not allowed



Do not bend it in sharp angle or twist it

For assembly of LED flex neon longer than 2m carefully handling with min. 2 employees is necessary. The electrical circuit could be damaged if bending radius is too small. Stainless steel core and resin can not avoid any damage by inadequate handling.

